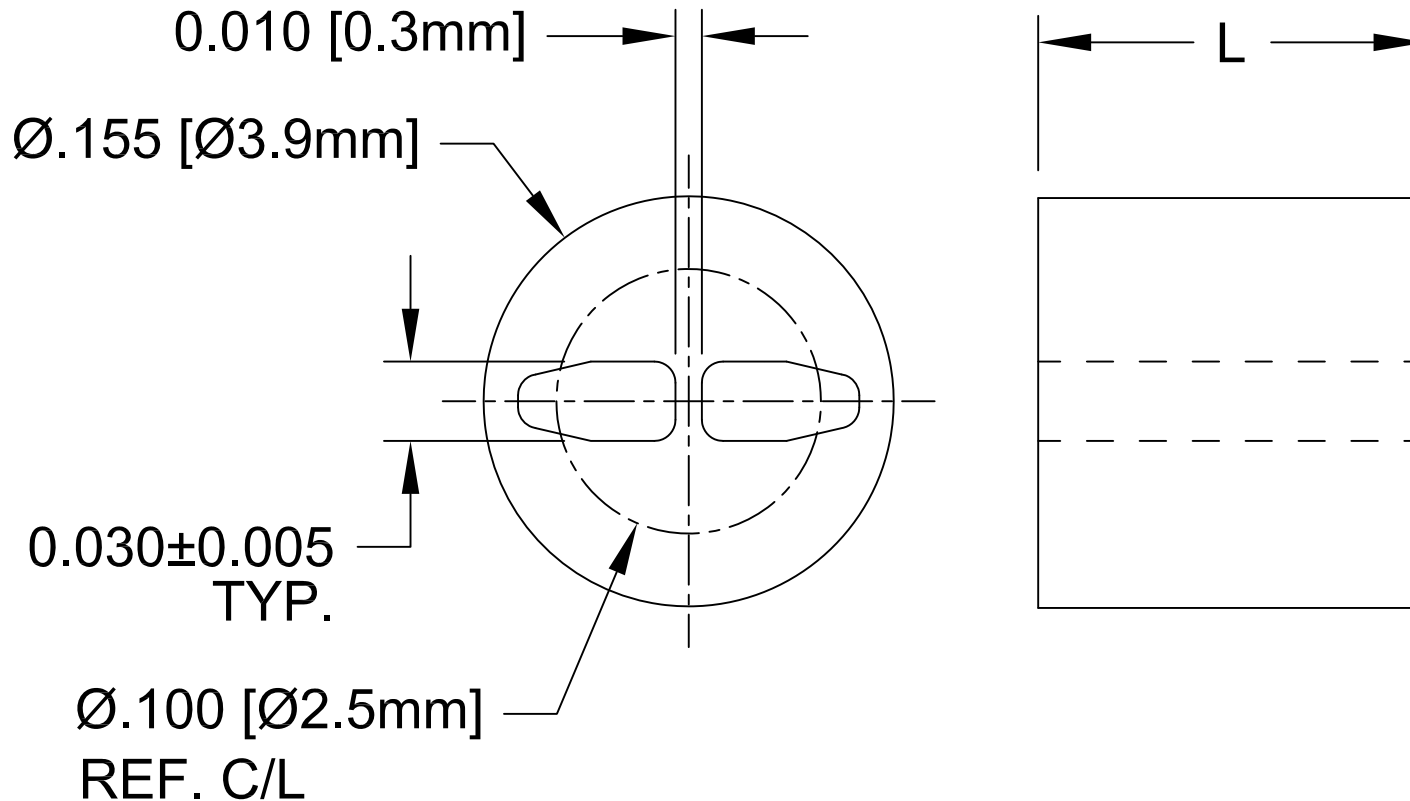


| REV. | DESCRIPTION | DATE | APPROVED |
|------|-----------------|----------|----------|
| J | Material Update | 11/11/09 | M. C. |
| | | | |
| | | | |
| | | | |




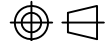
4. TOLERANCE "L" DIMENSION:

- 0.030 - 0.500 (1.0 - 12.7mm)±0.005(0.1mm)
- 0.505 - 0.750 (12.8 - 19.1mm)±0.008(0.2mm)
- 0.755 - 1.250 (19.2 - 31.8mm)±0.015(0.4mm)

3. MATERIAL: PVC ALLOY, 94V-0, BLACK. BIVAR MATERIAL CODE 58-BK
CYBERTECH CYBERSHIELD PVC ALLOY, CS1534WX-BLK02N, BLACK

2. MATERIAL: PVC ALLOY, 94V-0, BLACK. BIVAR MATERIAL CODE 62-BK
CYBERTECH CYBERSHIELD PVC ALLOY, CS1534WX-BLK02PN, BLACK

1. GENERAL SPECIFICATIONS: BIVAR EXTRUDED PRODUCT SPECIFICATION BV00-E105.

| STANDARD TOLERANCE (UNLESS OTHERWISE SPECIFIED) | |  4 THOMAS, IRVINE, CA. 92618 TEL: (949) 951-8808 FAX: (949) 951-3974 | |
|--|--------------------------|---|---|
| DECIMALS | ANGULAR | | |
| .X ±.1 | X° ± 1° |  | TITLE: EXTRUDED, SELF-RETAINING LED MOUNT |
| .XX ±.01 | | | PART NO: ELM 5 |
| .XXX ±.005 | | | REVISION: J |
| DESIGNED: Shane Irving | DATE: 02/03/98 | CAGE CODE : 32559 | SHEET # 1 OF 1 |
| CHECKED: M. Chen | DATE: 12/17/02 | CAD GENERATED DOCUMENT, DO NOT MEASURE DRAWING. | |